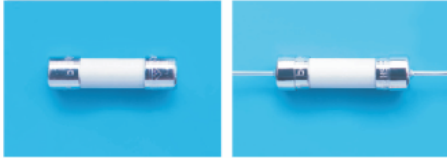


Type 5HT / 5HTP Time-lag Fuse Series (High - Breaking Capacity)

5 x 20mm Ceramic Tube
RoHS 6 Compliant

5HT D0809



Electrical Characteristics (IEC-127-2 STANDARD SHEET 5)

Rated Current	1.5 In		2.1 In		2.75 In		4 In		10 In	
	MIN	MAX	MIN	MAX	MIN	MAX	MIN	MAX	MIN	MAX
100mA to 3.15A	1	30	1	80	95	5	10	100		
4A and above	1	30	1	80	150	5	20	100		
	hr.	min.	sec	sec	ms	sec	ms	ms		

Approvals

Safety Agency Approvals	Amp range / Volt @ I.R. ability
Certificate No. 408893 Licence No. 40000505 Certificate No. EM232	1A - 6.3A / 250V AC @ 1,500A
Recognized File No. E20624	250mA - 6.3A / 600V AC@150A 250mA - 10A / 250V AC@1,500A
Acceptance File No. LR39772	250mA - 10A / 250V AC@1,500A
File No. JET1037-31003-1004, JET1037-31003-1005 JET1037-31003-1006	1A - 5A / 250V AC @ 1,500A > 5A - 15A / 250V AC @ 1,500A
Licence No. 2002010207021531	250mA - 6.3A / 250V AC@1,500A

RoHS 6 Compliant Product

Operating Temperature

-55°C to +125°C

Physical Specification

Materials

Ceramic body / Nickel Plated Brass Caps

Lead wire:

Matte Tin Plated Copper Alloy,
Diameter 0.032", 6.3A and less
Diameter 0.040", 8A and above

Marking

On fuse:

"bel", "T", "Current Rating", "H", "250V",
"Appropriate Safety Logos", "✓" (RoHS 6 compliant)

On label:

"bel", "5HT", or "5HTP", "Current Rating",
"Voltage Rating", "Interrupting Rating", "Appropriate
Safety Logos" and "♻️", "♻️" (China RoHS compliant)

Catalog Number	Ampere Rating	Typical Cold Resistance (ohm)	Volt-drop @100% I _n (Volt) max.	Melting I ² T < 10 mSec (A ² Sec)	Melting I ² T @10 In (A ² Sec)	Maximum Power Dissipation (W)
5HT (P) 250-R	250mA	3.40	1.20	0.098	0.12	0.34
5HT (P) 315-R	315mA	2.20	1.00	0.18	0.22	0.38
5HT (P) 400-R	400mA	1.40	0.75	0.28	0.34	0.41
5HT (P) 500-R	500mA	1.00	0.70	0.46	0.58	0.48
5HT (P) 630-R	630mA	0.60	0.52	0.70	0.90	0.55
5HT (P) 800-R	800mA	0.40	0.45	1.08	1.50	0.64
5HT (P) 1-R	1A	0.20	0.25	1.70	1.70	0.73
5HT (P) 1.25-R	1.25A	0.14	0.22	3.00	3.20	0.81
5HT (P) 1.6-R	1.6A	0.10	0.20	5.40	5.90	0.91
5HT (P) 2-R	2A	0.07	0.19	9.70	11	1.00
5HT (P) 2.5-R	2.5A	0.05	0.17	17	20	1.10
5HT (P) 3.15-R	3.15A	0.04	0.14	31	38	1.20
5HT (P) 4-R	4A	0.03	0.10	56	69	1.40
5HT (P) 5-R	5A	0.02	0.11	101	128	1.50
5HT (P) 6.3-R	6.3A	0.01	0.074	181	237	1.70
5HT (P) 8-R	8A	0.009	0.092	330	439	2.70
5HT (P) 10-R	10A	0.007	0.078	601	812	2.90

Consult manufacturer for other ratings

Packaging

1. In bulk:

5HT - 1,000 pcs per box; 5HTP - 500 pcs per box

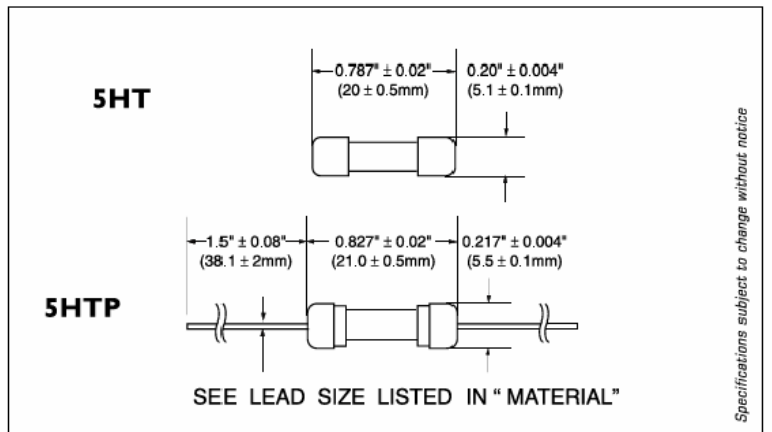
2. On Axial Tape & Reel:

1,500 pcs per reel

3. Tape & Reel specification:

per EIA-296-F & IEC 286-1@ 10mm Pitch and 63.5mm inside Tape

Mechanical Dimensions



Specifications subject to change without notice

ORDERING INFORMATION SEE LAST 2 PAGES

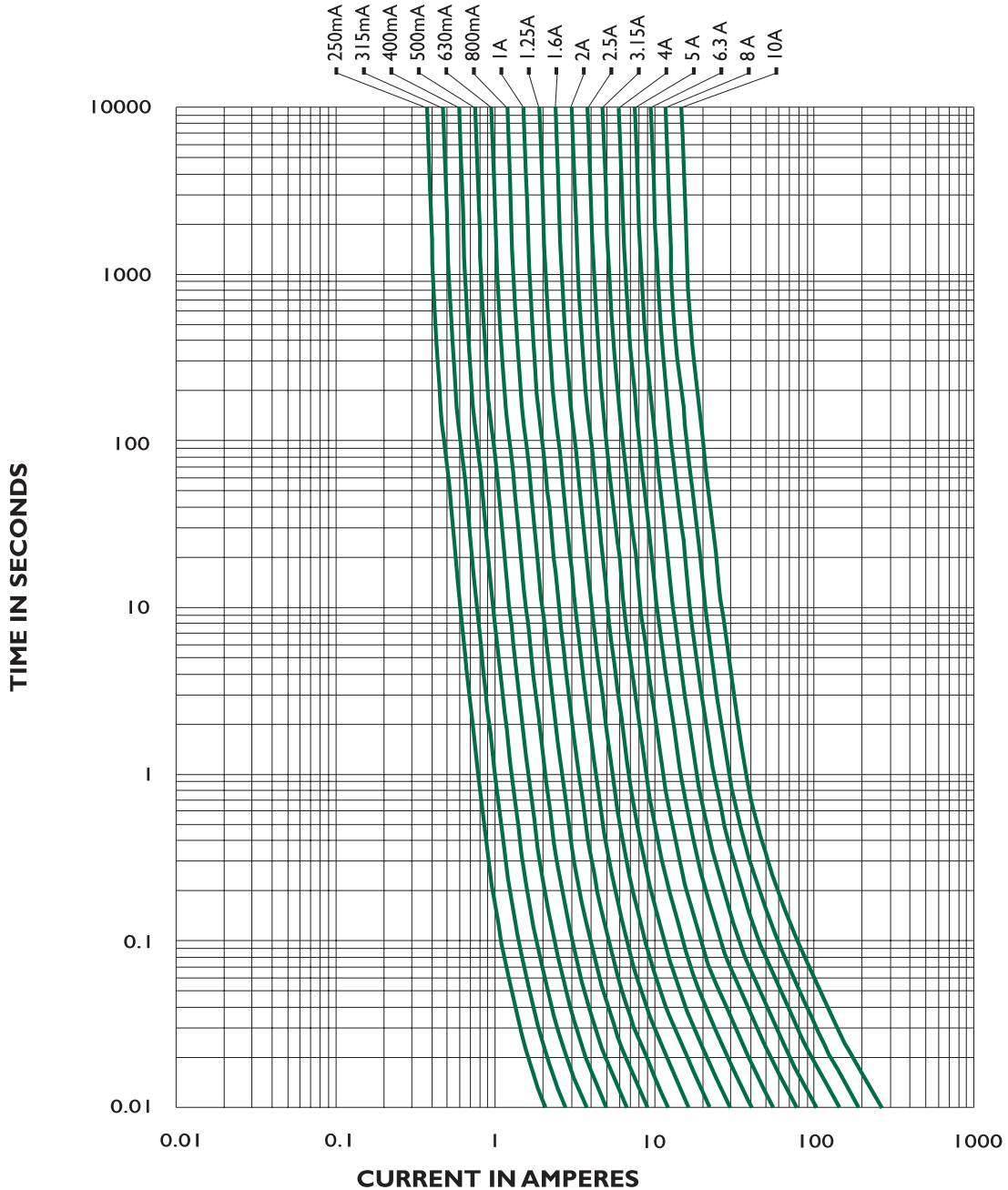
Type 5HT / 5HTP
Time-lag Fuse Series (High - Breaking Capacity)

5 x 20mm Ceramic Tube
 RoHS 6 Compliant



5HTC0808

5HT / 5HTP - TIME CURRENT CHARACTERISTIC CURVE



Specifications subject to change without notice

NOTE - see important information under "User Guide" on P.08

Corporate Office

Bel Fuse Inc.
 206 Van Vorst Street, Jersey City, NJ 07302
 Tel: 201-432-0463
 Fax: 201-432-9542
 E-Mail: belfuse@belfuse.com
 Website: www.belfuse.com

Far East Office

Bel Fuse Ltd.
 8F/8 Luk Hop Street,
 San Po Kong
 Kowloon, Hong Kong
 Tel: 852-2328-5515
 Fax: 852-2352-3706

European Office

Bel Fuse Europe Ltd.
 Preston Technology Management Centre
 Marsh Lane, Preston PR1 8UG
 Lancashire, U.K
 Tel: 44-1772-556601
 Fax: 44-1772-888366



BEL FUSE INC
MR R G MCBRIEN, PROD MGR FUSE DIV
198 VAN VORST ST
JERSEY CITY NJ 07302

RE: Project Number(s) - 03ME07789

Your most recent Certification is shown below. You may also view this information, or a portion of this information (depending on the product category), on UL's Online Certifications Directory at www.ul.com/database. Please review the text and contact the Conformity Assessment Services staff member who handled your project if revisions are required. For instructions on placing an order for this information in a 3 x 5-inch format, you may refer to the enclosed order form for UL Card Service.

JDYX2 June 13, 2003
Fuses, Miscellaneous, Miniature and Micro - Component

BEL FUSE INC
198 VAN VORST ST, JERSEY CITY NJ 07302

E20624

With pigtail leads: Micro, Type MFE, 0.05-7A, 125 Vac .
Micro, Types MBS, MBSP, MS, 0.05-7A, 125 Vac/dc; Types MBQ, MBQP, MQ, 0.05-15A, 125 Vac/dc; Type WP91813 followed by L1-L17, 0.125-15 A, 125 Vac/dc .
Micro, Type MRT, 0.080-6.3A, 250 or 277 Vac .
Miniature, Type GSM, 10-20A, 250 Vac .
Micro, Type TCQ and TCQP, 0.125-5.0A, 300 Vac .
Micro, Cat. No. 1SM followed by suffix numbers; 0-7A, 125 Vac .
Micro, Cat. No. RRT, 0.08-6.3A, 250 Vac .
Miniature, Types GSA, GSAP, 10-15A, 250 Vac .
Miniature, Types 5HT, 5HTP, 0.25-10A, 250 Vac .
Miniature, Types 2JQ, 3JQ, 0.1-7A, 350 Vac, 140 Vdc.
Miniature, Types 2JS, 3JS, 0.1-7A, 350 Vac, 140 Vdc.
Miniature, Types 3SF, 3SFP, 0.315-10A, 250 Vac .
Miniature, Types 5HF, 5HFP, 0.1-10A, 250 Vac .
Miniature, Types 5SF, 5SFP, 0.08-10A, 250 Vac .
Miniature, Types 5ST, 5STP, 0.063-10A, 250 Vac.
Miniature, Types 5TT, 5TTP, 10A, 125 Vac.
Miniature, Types 33C, 33P, 0.5-15A, 300 Vac.
Miniature, Cat. Nos. 300V, 300VP, 0.1-5 amp, 300 Vac.
Supplemental, Types RJS, 0.1-5A, 600 Vac.
Miscellaneous, Types BER, DJB, 0.25-10A, 125 Vac.
Supplemental, Types 5ET, 5ETP, 1-6.3A, 250 Vac.
Supplemental, Types 5VT, 5VTP, 1-6.3A, 250 Vac.
Micro, Type MRF, 0.05-6.3A, 250 Vac.
Surface mounts: Micro, Type RST, 0.08-6.3A, 250 Vac.
Micro, Type C2Q 0.25-4A, 32 Vac, 63 Vdc, 5A, 32 Vac/dc.
Micro, Type SSQ, 15A, 86 Vdc.
Micro, Type SMP, 0.5-2.0A, 600 Vac, 125 Vdc.
Micro, Type SMP, 2.2A, 600Vac, 125 Vdc.
Marking: Company name and type or catalog designation.

See General Information Preceding These Recognitions

An independent organization working for a safer world with integrity, precision and knowledge.

225657001



File No: 039772 0 000

Class No: 1422 30 FUSES Supplemental Fuses - Component Acceptance

SUBMITTOR

4547300 Bel Fuse Inc.
198 Van Vorst St
Jersey City, NJ 07302
USA

FACTORIES

4547302 Bel Fuse Limited
8/F Luk Hop Industrial Bldg.
8 Luk Hop St.
San Po Kong
Kowloon, Kowloon
Hong Kong

4547304 Wing Ming Co., Ltd.
Dutou Industrial Zone
Dutou, Hung Cheng
Zhongshan Guangdong, Guangdong 528400
China

August 20, 2001(Replaces:March 7, 2001)

Supplemental Fuses, non-renewable:

- Type 2JS, 3JS, 0.1-7.0A, 350V ac, IR 125-10kA, IR 350-100A, Glass cartridge, 5 by 15 mm;
- Type 2JQ, 3JQ, 0.1-7.0A, 350V ac, IR 350-100A. Glass cartridge, 5 by 15mm;
- Type 5TT, 5TTP (pigtail); 10A, 125V ac, IR 125-1000A, Ceramic cartridge, 5 by 20 mm;
- Type GSA, GSAP (pigtail); 10-15A, 250V ac, IR 125-10kA, IR 250-750A, Ceramic cartridge, 6.3 by 32 mm;
- Type 5SF, 5SFP (pigtail), 0.08-10A, 250V ac, IR 250-100A Max, Glass cartridge, 5 by 20 mm;
- Type 5ST, 5STP (pigtail), 0.063-10A, 250V ac, IR 250-100A Max., Supplemental, Glass cartridge, 5.2 by 20mm, non-renewable;
- Type 5HF, 5HFP (pigtail), 0.1-10A, 250V ac, IR 250-1500A, Ceramic cartridge, 5 by 20 mm;
- Type 5HT, 5HTP (pigtail), 0.25-10A, 250V ac, IR 250-1500A. Ceramic cartridge, 5 by 20 mm;
- Microfuses, Type MRT, 0.080-6.3A, 250V ac, IR250V ac-50A.
- Microfuses, Type MRF, 0.05-5.0A, 250V ac, IR250V ac-50A; 5.1-6.3A, 250V ac, IR250V ac, 10 times ampere rating.
- Type GSM rated 10-20A, 250V ac IR 10,000A, 125V ac; 1.500A, 250V ac, Ceramic cartridge, 6.3 by 32 mm;
- Types 5ET and 5ETP (pigtail) rated 1-6.3A, 250V ac IR 150A, 250V ac, Glass cartridge, 5 by 20 mm;
- Types 5VT and 5VTP (pigtail) rated 1-6.3A, 250V ac IR 35A or 10 times their ampere rating, whichever is greater, at 250V ac resistive, Glass cartridge, 5 by 20 mm;

-
- Microfuses, Type RJS: 5 by 20mm, 0.1-5A, 600V ac, IR 125V ac - 10000A, p.f. 0.7-0.8; IR 250V ac - 200A, p.f. 0.7-0.8; IR 350V ac - 100A, resistive; IR 600V ac - 60A, resistive.
 - Microfuses, Type RRT, 8.4 by 6 by 4mm, 0.08-6.3A, 250V ac, IR 250V ac - 63A, resistive.

Notes:

1. Overload tests on Types 5SF, 5SFP, 5ST, 5STP, 5HF, 5HFP, 5HT and 5HTP fuses were conducted at 210, 275, 400 and 1000 percent of ampere rating.
2. Overload tests on Type MRT fuses were conducted at 210 and 400 percent of ampere rating.
3. Overload tests on Type MRF fuses were conducted at 210, 275 and 400 percent of ampere rating.
4. These fuses are for use only in equipment where the acceptability of the combination is determined by the CSA.

/al

Certificate




for European Product Safety

Reference No. 909875

Miniature fuse-link

Type designation	5HT
Certificate holder	BEL FUSE 8/F., Luk Hop Ind. Building 8 Luk Hop Street San Po Kong, Kowloon HONG KONG
The product complies with the standard(s)	EN 60127-2:2003+A1
Date of expiry	11 November 2014
EU Directive information	The product satisfies the provisions for CE marking according to the Low Voltage Directive 2006/95/EC.

Additional information in Appendix.

Certification Body	Intertek Semko AB, Product Certification	Place	Kista - Stockholm
Signed	 Pär Iggström	Date	27 August 2009 Page 1 of 2

This certificate is issued in accordance with the terms and conditions set out in the Appendix.

URIS



Appendix

Reference No. 909875

Technical data

Type designation	5HT
Rated voltage (V)	250 VAC
Rated current (A)	1A, 1.25A, 1.6A, 2A, 2.5A, 3.15A, 4A, 5A and 6.3A
Standard sheet	5
Product information	Time-lag, high-breaking capacity. Size 5 x 20 mm.

This certificate, which includes production control, is considered to constitute sufficient support for an EC Declaration of Conformity and CE marking of the product according to the Low Voltage Directive 2006/95/EC.

This certificate replaces previously issued ref. No. 408893 dated 11 November 2004.

Manufacturing site(s) Bel Fuse Ltd.
Wing Ming Electronic Factory
Dutou Industrial Zone, Dutou Village
Huang Cheng District
Zhong Shan City, Guangdong
CHINA

Certification Body Intertek Semko AB, Product Certification Place Kista - Stockholm

Signed 
Pär Iggström Date 27 August 2009

This Certificate is for the exclusive use of Intertek's Client and is provided pursuant to the Certification agreement between Intertek and its Client. Intertek's responsibility and liability are limited to the terms and conditions of the agreement. Intertek assumes no liability to any party, other than to the Client in accordance with the agreement, for any loss, expense or damage occasioned by the use of this certificate. Only the Client is authorized to permit copying or distribution of this certificate and then only in its entirety. Use of Intertek's Certification mark is restricted to the conditions laid out in the agreement. Any further use of the Intertek name for the sale or advertisement of the tested material, product or service must first be approved in writing by Intertek. Initial Factory Assessments and Follow up Services are for the purpose of assuring appropriate usage of the Certification mark in accordance with the agreement, they are not for the purposes of production quality control and do not relieve the Client of their obligations in this respect.

ZEICHENGENEHMIGUNG MARKS LICENCE

Bel Fuse Ltd.
8/F Luk Hop Ind. Building
SAN PO KONK KOWLOON
HONGKONG

ist berechtigt, für ihr Produkt /
is authorized to use for their product

G-Sicherungseinsatz
Cartridge fuse-link
5HT

die hier abgebildeten markenrechtlich geschützten Zeichen
für die ab Blatt 2 aufgeführten Typen zu benutzen /
the legally protected Marks as shown below for the types referred to on page 2 ff.



Geprüft und zertifiziert nach /
Tested and certified according to

DIN VDE 0820 Teil 1:1992-11; EN 60127-1:1991
DIN EN 60127-1/A1 (VDE 0820 Teil 1/A1):1999-11; EN 60127-1/A1:1999
DIN EN 60127-2 (VDE 0820 Teil 2):2001-09; EN 60127-2:1991 + A1:1995 + A2:2000

VDE Prüf- und Zertifizierungsinstitut
VDE Testing and Certification Institute
Zertifizierungsstelle
Certification

Aktenzeichen: 1937700-1170-0004 / 10740

File ref.:

Ausweis-Nr. 40000505

Blatt 1

Licence No.

Page

*Weitere Bedingungen siehe Rückseite und Folgeblätter /
further conditions see overleaf and following pages*

Offenbach, 2002-03-07

VDE Prüf- und Zertifizierungsinstitut Zeichengenehmigung

Ausweis-Nr. / Blatt /
Licence No. / page
40000505 2

Name und Sitz des Genehmigungs-Inhabers / *Name and registered seat of the Licence holder*

Bel Fuse Ltd., 8/F Luk Hop Ind. Building, 8 Luk Hop Str., SAN PO KONK KOWLOON, HONGKONG

Aktenzeichen / *File ref.*

1937700-1170-0004 / 10740 / F340 / EUL

Datum / *Date*

2002-03-07

Dieses Blatt gilt nur in Verbindung mit Blatt 1 des Zeichengenehmigungsausweises Nr. 40000505.

This supplement is only valid in conjunction with page 1 of the Licence No. 40000505.

Jahresgebühren-Einheiten /
Annual fee units

Typ(en) / *Type(s)*:

5 HT

Bemessungsspannung
Rated voltage

250 V

Bemessungsstrom
Rated current

1 A; 1,25 A; 1,6 A; 2 A; 2,5 A; 3,15 A
4 A; 5 A; 6,3 A

33.48

Normblatt
Standard sheet

5

Bemessungsschaltvermögen
*Rated making and breaking
capacity*

1500 A

Kennzeichnung der
Charakteristik
Characteristic symbol

T

Zeit/Strom-Charakteristik
Time/current-characteristic

träge
time-lag

Baugröße
Size

5 mm x 20 mm

Summe der Jahresgebühren-Einheiten / *Sum of annual fee units*

33.48

Fortsetzung siehe Blatt 3 /
continued on page 3



APPROVAL CERTIFICATE NO. EM232

(DAT 97002462)

As to Test Reports Nos.: 03R9700030

it is stated that the following product:

CARTRIDGE FUSE-LINKS FOR MINIATURE FUSES

Series	5HT
Classification	Standard sheet 5
Rated voltage	250V
Rated current	1A/6,3A
Pre-arcing time	type T
Rated breaking capacity	type H

(Follows Description of the Products)

of the Firm: *BEL FUSE LTD. (1997 / 3583)*
8/F LUK HOP IND. BLDG-8 LUK HOP ST. - SAN PO KONG - KOWLOON (HK)
manufactured in the factory of:
(97001595) KOWLOON (HK)

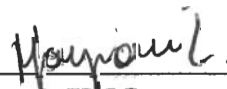
is in conformity with:

CEI EN 60127-1 - 1992

CEI EN 60127-2 - 1992

therefore according to essential requirements of the L.V.D. 73/23 and 93/68 EEC

and is authorized to the use of the mark: *IMQ*


IMQ

This Approval Certificate may be revoked according to what specified in the Rules under the clauses concerning the renouncement or the revocation of the use of the IMQ Marks.

*** This is a translation from the Italian text, which prevails in case of doubts ***

Date of issue 09/09/97

Copy of this Approval Certificate
shall be kept in the place of production.

IMQ models for series: 1

This Approval Certificate includes 1 annex



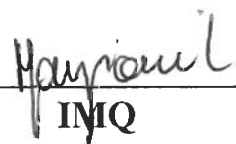
EMMEQU HAR

APPROVAL CERTIFICATE NO. EM232

(Description of the Products)

CARTRIDGE FUSE-LINKS FOR MINIATURE FUSES

Trade mark	Type ref.	Rated current	Constructional notes
bel	5HT	1,25A	-
bel	5HT	1,6A	-
bel	5HT	1A	-
bel	5HT	2,5A	-
bel	5HT	2A	-
bel	5HT	3,15A	-
bel	5HT	4A	-
bel	5HT	5A	-
bel	5HT	6,3A	-


IMQ

Date of issue 09/09/97

pag. 1

適合性同等検査合格書別紙

Statement of Conformity Assessment

型 式 の 区 分

Type Classification

要 素 Factor	区 分 Classification
定格電圧 Rated voltage	(2) 125Vを超えるもの Exceeding 125V
定格電流（定格電流表示のあるものの場合に限る。） Rated current (limited to those with rated current markings)	(1) 5 A以下のもの 5A or less
可溶体の主材料 Fuse element materials	(5) 銅のもの Copper
可溶体の数 Number of fuse elements	(1) 1のもの One
内部充てん物 Filler materials	(1) あるもの With filler materials
筒（内筒を除く。）の材料（管形ヒューズ、筒形ヒューズ及びその他の包装ヒューズの場合に限る。） Outer cartridge materials (limited to cartridge fuses, tubular fuses, and other enclosed fuses)	(3) 磁器のもの又はガラスのもの Ceramic or glass
端子（栓形ヒューズの場合を除く。） Terminals (excluding plug fuse (formerly known as end contact plug fuses))	(2) 筒形のもの Tubular terminal
排気孔 Exhausting opening	(2) ないもの Without exhausting opening
溶断の表示 Blowout fuse indicator	(2) ないもの Without blowout fuse indicator
用途 Application	(2) 電子機器用のもの For use in electric appliances
定格遮断電流 Rated breaking capacity	(5) 1,000Aを超え1,500A以下のもの Exceeding 1,000A, and less than or equal to 1,500A

合格書番号：JET1037-31003-1008



中国国家强制性产品认证证书

UNCONTROLLED COPY **bel**

证书编号: 2002010207021531

申请人名称及地址

百富电子有限公司
香港九龙新蒲岗六合街八六合街八号六合工业大厦八楼

商标:

制造商名称及地址

百富电子有限公司
香港九龙新蒲岗六合街八六合街八号六合工业大厦八楼

生产企业名称及地址

中山市永明电子厂
中山市南区渡头东路84-85号

产品名称和系列、规格、型号

管状熔断体

5HT/5HTP T250H250V、5HT/5HTP T315H250V、5HT/5HTP T400H250V、5HT/5HTP T500H250V、5HT/5HTP T630H250V、5HT/5HTP T800H250V、5HT/5HTP T1H250V、5HT/5HTP T1.25H250V、5HT/5HTP T1.6H250V、5HT/5HTP T2H250V、5HT/5HTP T2.5H250V、5HT/5HTP T3.15H250V、5HT/5HTP T4H250V、5HT/5HTP T5H250V、5HT/5HTP T6.3H250V

产品标准和技术要求

GB9364.1-1997 GB9364.2-1997

上述产品符合强制性产品认证实施规则的要求, 特发此证。

发证日期: 2009年01月23日

本证书的有效性依据发证机构的定期监督获得保持。

(本证书为变更证书, 证书首次颁发日期: 2002年11月13日)



主任:

中国质量认证中心

中国·北京·南四环西路188号9区 100070

<http://www.cqc.com.cn>



Q 0034053



CERTIFICATE FOR CHINA COMPULSORY PRODUCT CERTIFICATION

No. : 2002010207021531



NAME AND ADDRESS OF THE APPLICANT

Bel Fuse Ltd.
8/F, Luk Hop Ind. Bldg., 8 Luk Hop Street, San Po Kong

TRADE MARK:

NAME AND ADDRESS OF THE MANUFACTURER

Bel Fuse Ltd.
8/F, Luk Hop Ind. Bldg., 8 Luk Hop Street, San Po Kong

NAME AND ADDRESS OF THE FACTORY

Zhongshan City Yongming Electron Factory
NO.84-85 Dutou East Road, Zhongshan

NAME, MODEL AND SPECIFICATION

Cartridge Fuse-link

5HT/5HTP T250H250V, 5HT/5HTP T315H250V, 5HT/5HTP T400H250V, 5HT/5HTP T500H250V, 5HT/5HTP T630H250V, 5HT/5HTP T800H250V, 5HT/5HTP T1H250V, 5HT/5HTP T1.25H250V, 5HT/5HTP T1.6H250V, 5HT/5HTP T2H250V, 5HT/5HTP T2.5H250V, 5HT/5HTP T3.15H250V, 5HT/5HTP T4H250V, 5HT/5HTP T5H250V, 5HT/5HTP T6.3H250V

THE STANDARDS AND TECHNICAL REQUIREMENTS FOR THE PRODUCTS

GB9364.1-1997 GB9364.2-1997

THIS IS TO CERTIFY THAT THE ABOVE MENTIONED PRODUCTS HAVE QUALIFIED FOR THE REQUIREMENTS OF IMPLEMENTATION RULES FOR COMPULSORY CERTIFICATION

Jan. 23, 2009

THE VALIDITY OF THE CERTIFICATE DEPEND ON THE FOLLOW UP INSPECTION BY THE CERTIFICATION BODY AT REGULAR INTERVALS

(ORIGINAL ISSUED DATE: Nov.13,2002))



President:

Wang Kejiao

CHINA QUALITY CERTIFICATION CENTRE

Section 9, No.188, Nansihuan Xilu, Beijing 100070 P.R.China

<http://www.cqc.com.cn>



Q 0034053